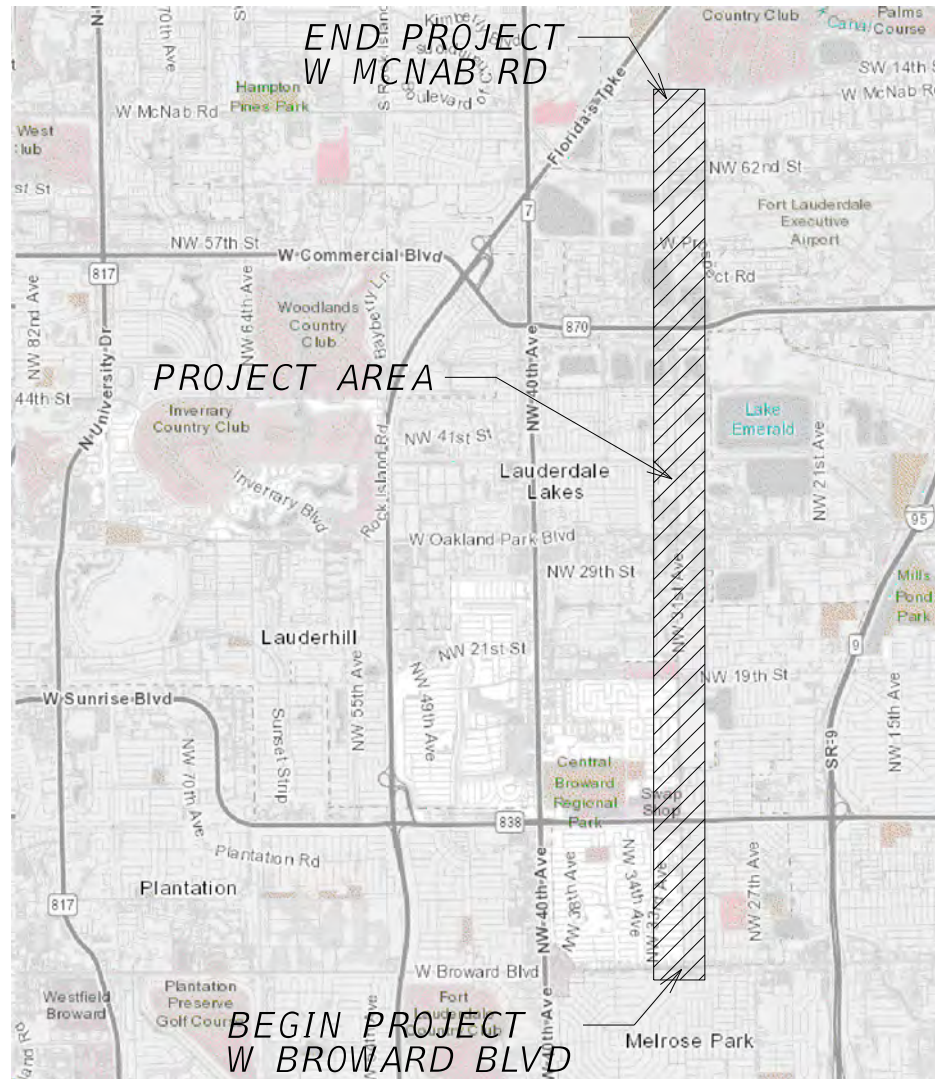


BROWARD MPO NW 31ST AVENUE MULTIMODAL PATH IMPROVEMENT PROJECT



INDEX OF SHEETS	
SHEET NO.	DESCRIPTION
1	COVER SHEET
2 - 4	TYPICAL SECTION
5 - 15	PLANS

COUNTY COMMISSION:

- MAYOR/
DISTRICT 3: MICHAEL UDINE
- VICE MAYOR/
DISTRICT 4: LAMAR P. FISHER
- COMMISSIONERS:
- DISTRICT 1: NAN H. RICH
- DISTRICT 2: MARK D. BOGEN
- DISTRICT 5: STEVE GELLER
- DISTRICT 6: BEAM FURR
- DISTRICT 7: TIM RYAN
- DISTRICT 8: JARED E. MOSKOWITZ
- DISTRICT 9: TOREY ALSTON
- COUNTY ADMINISTRATOR: MONICA CEPERO
- COUNTY ATTORNEY: ANDREW J. MEYERS
- COUNTY AUDITOR: ROBERT MELTON

LOCATION MAP NOT TO SCALE

 PROJECT LOCATION

PREPARED FOR:
BROWARD MPO
FLORIDA

PREPARED BY:

TYLin

100W CYPRESS CREEK RD SUITE 860
FORT LAUDERDALE, FLORIDA 33309
PHONE: (954) 491-5556 FAX:(954) 491-6117
EB2017

CONCEPT PLANS
SEPTEMBER 14, 2022

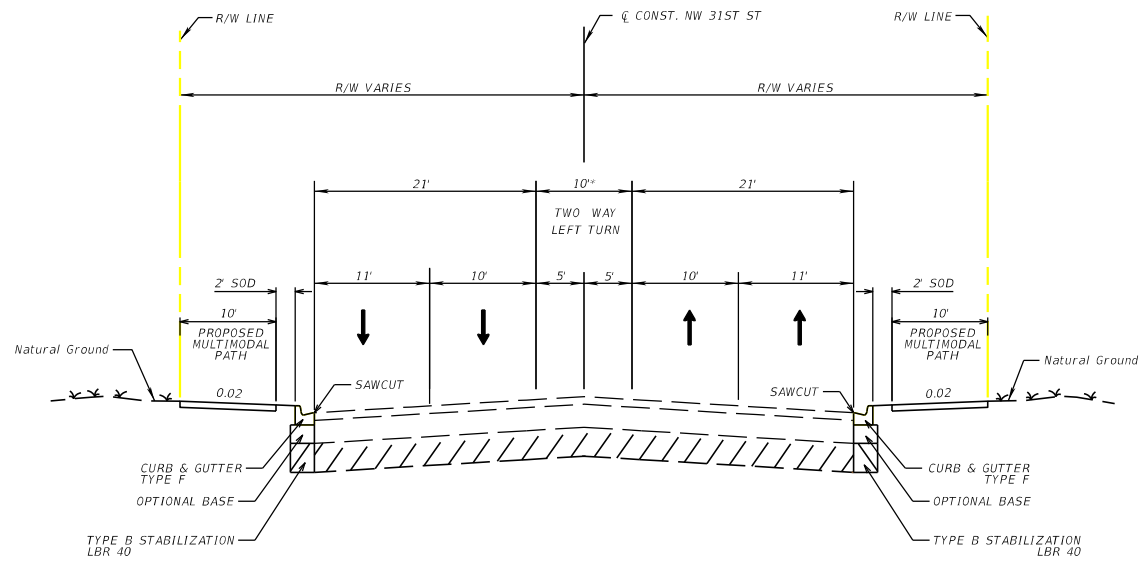


BROWARD MPO PROJECT MANAGER: ANDREW RIDDLE, AICP

SHEET No.

1

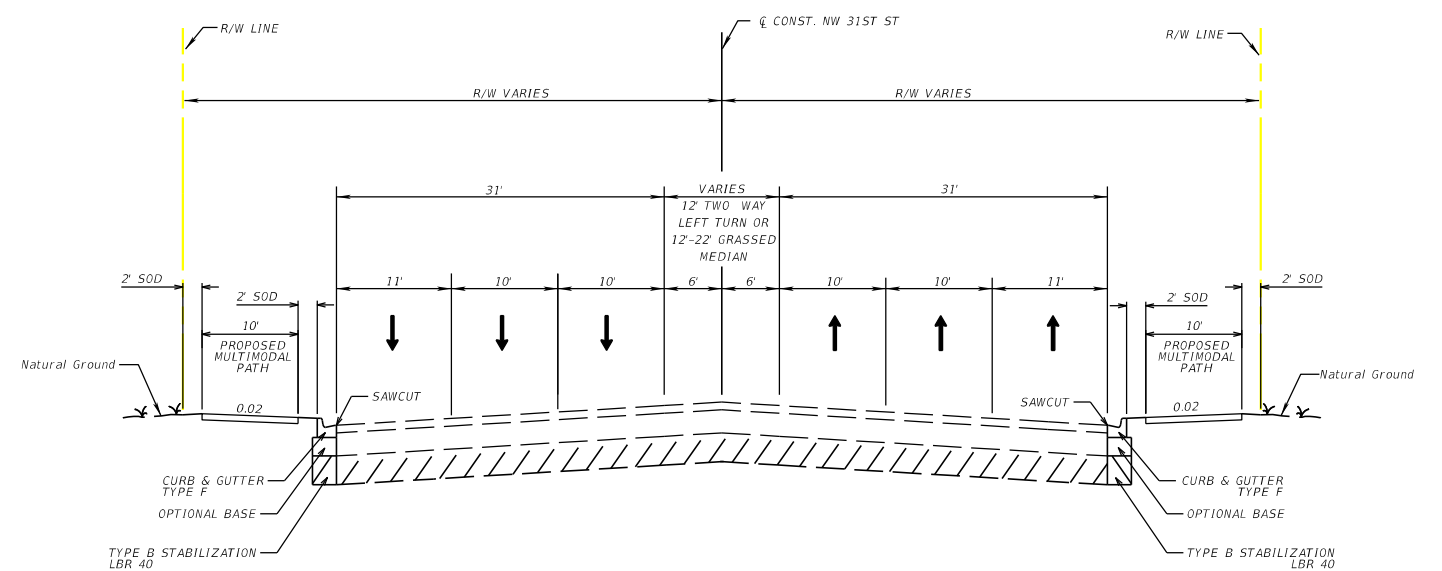
PROPOSED



TYPICAL SECTION
Broward Blvd to Sistrunk Blvd

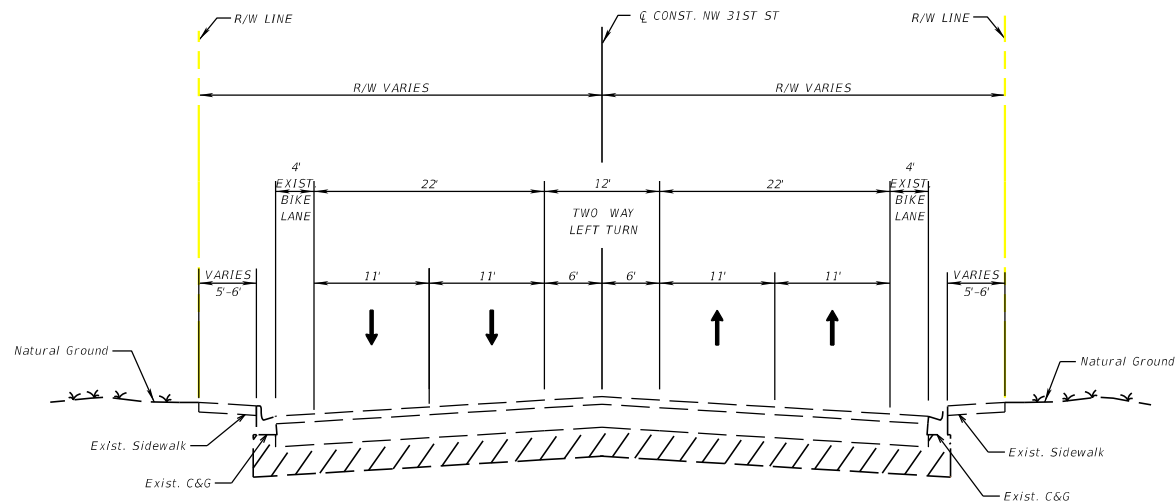
*
Reference:
FDM Table 210.2.1 - Minimum Travel
and Auxillary Lane Widths

PROPOSED



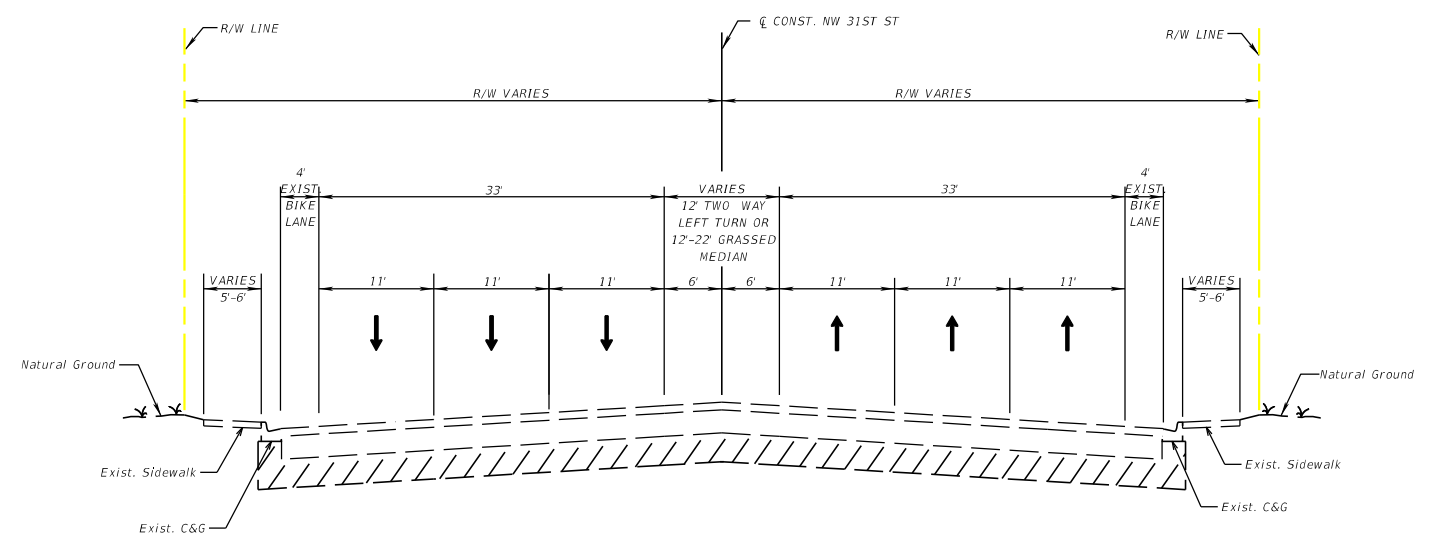
TYPICAL SECTION
Sistrunk Blvd to NW 39th St

EXISTING



TYPICAL SECTION
Broward Blvd to Sistrunk Blvd

EXISTING



TYPICAL SECTION
Sistrunk Blvd to NW 39th St

REVISIONS

DATE	DESCRIPTION	DATE	DESCRIPTION

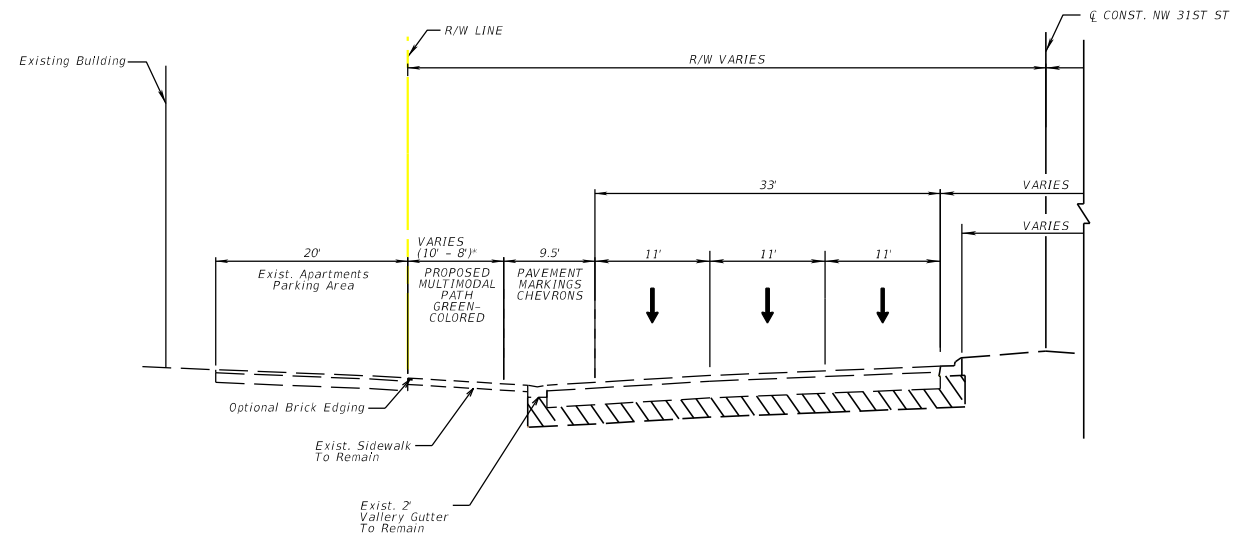


TYPICAL SECTIONS
NW 31ST AVENUE

SHEET
NO.

2

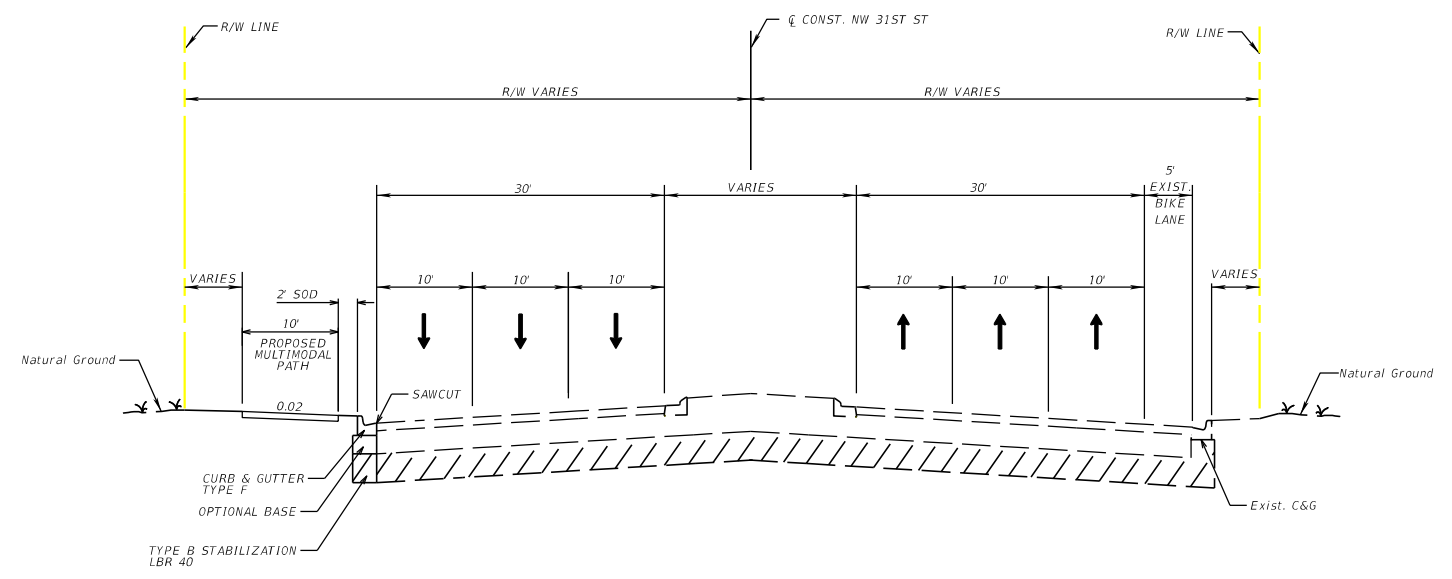
PROPOSED



* Note: 8' WIDTH AT TRANSMISSION POLES LOCATIONS

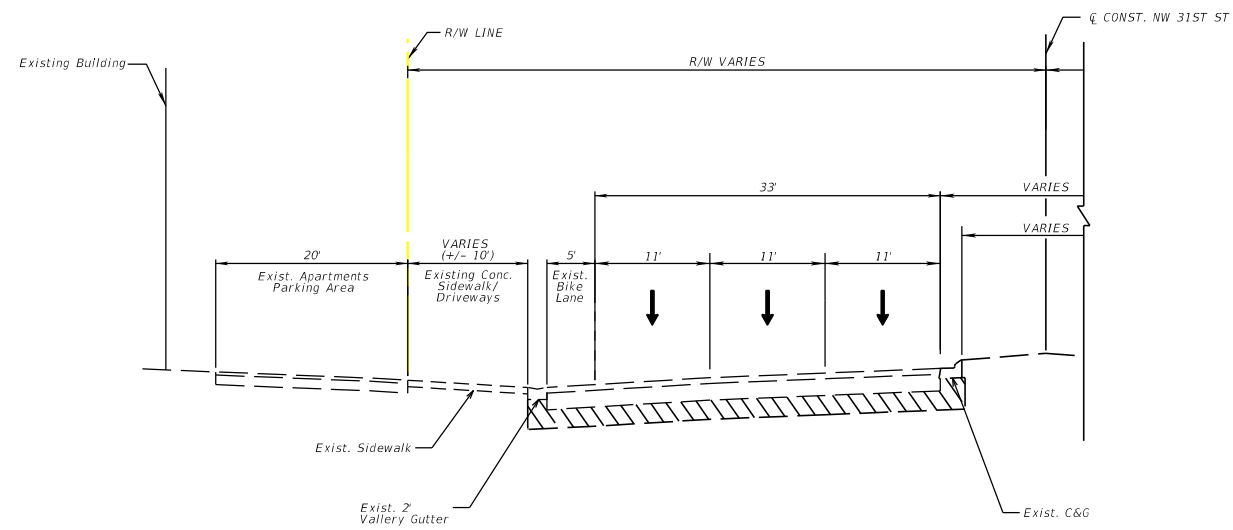
TYPICAL SECTION DETAIL
NW 39th St to NW 43rd St

PROPOSED



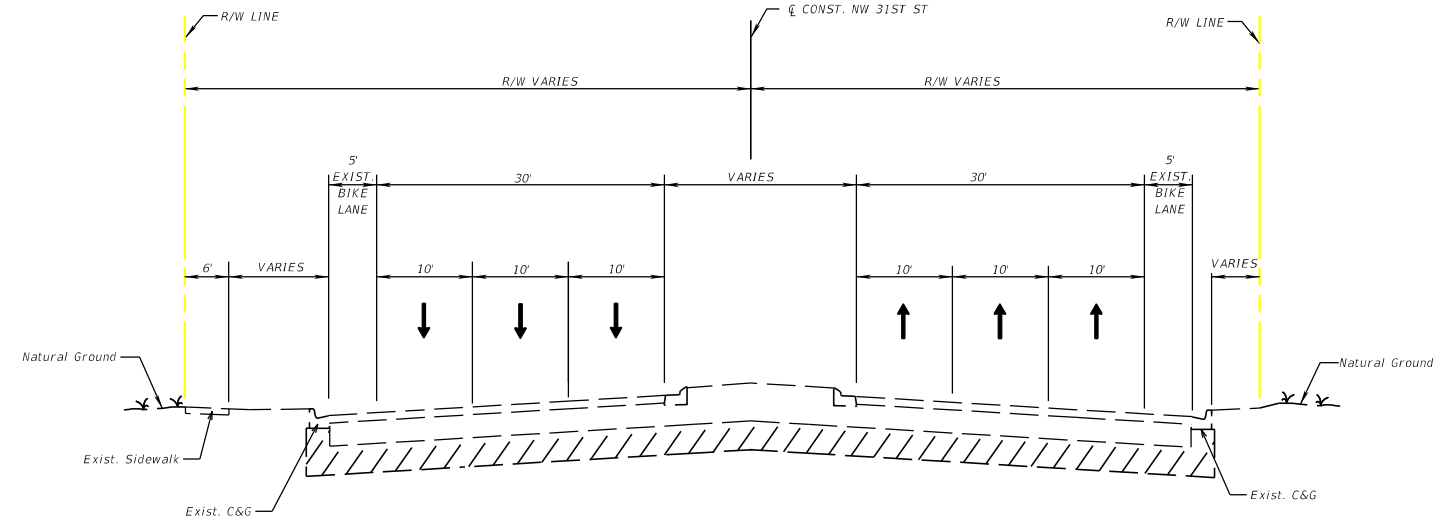
TYPICAL SECTION
NW 44th St to Commercial Blvd

EXISTING



TYPICAL SECTION DETAIL
NW 39th St to NW 43rd St

EXISTING



TYPICAL SECTION
NW 44th St to Commercial Blvd

REVISIONS			
DATE	DESCRIPTION	DATE	DESCRIPTION

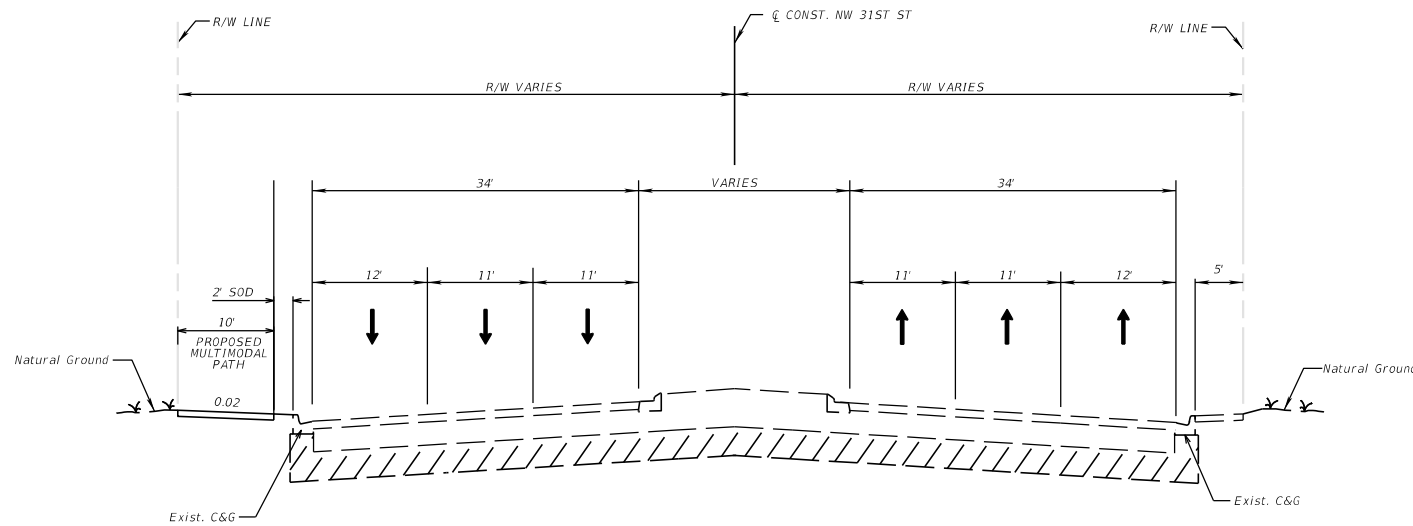


TYPICAL SECTIONS
NW 31ST AVENUE

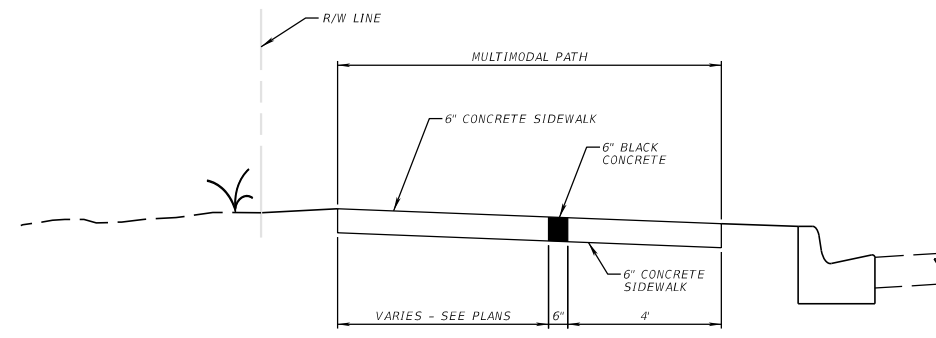
SHEET NO.

3

PROPOSED

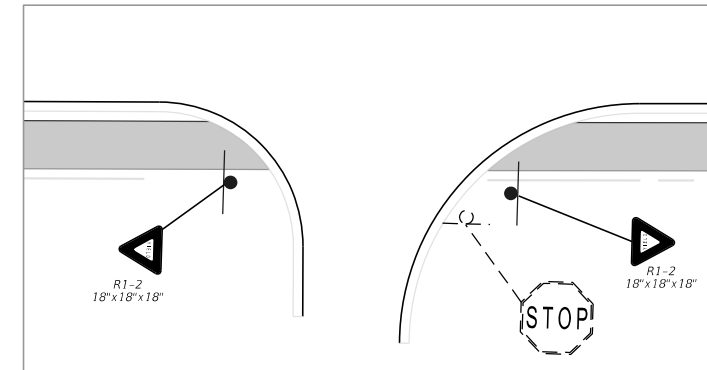


TYPICAL SECTION
Commercial Blvd to W McNab Rd



TYPICAL DIVIDED SIDEWALK

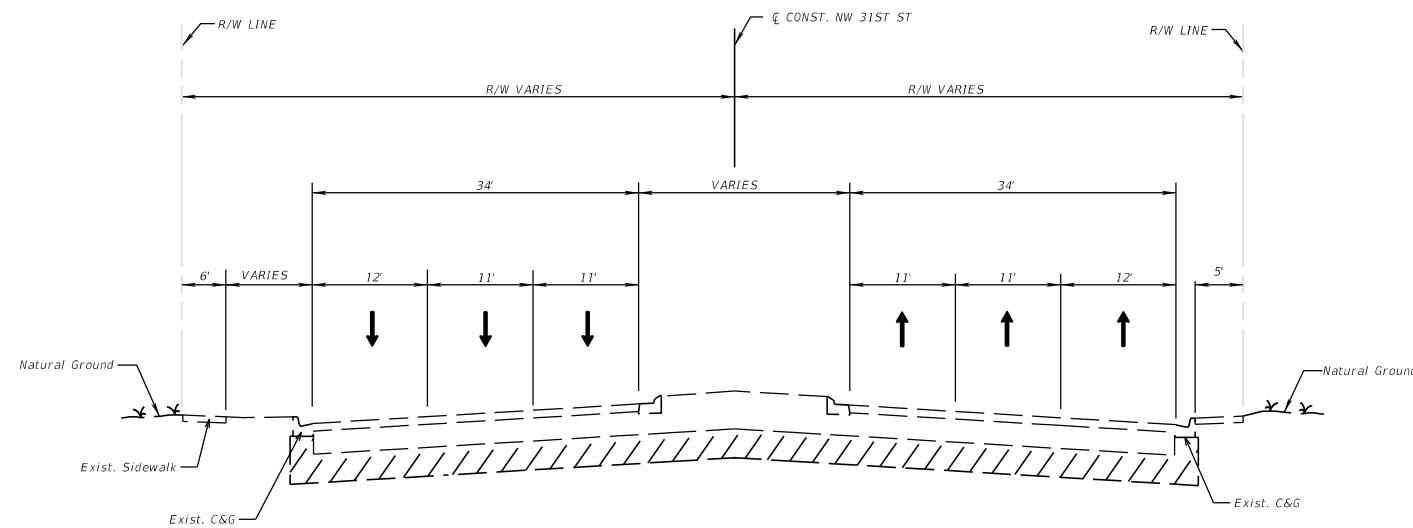
N.T.S.



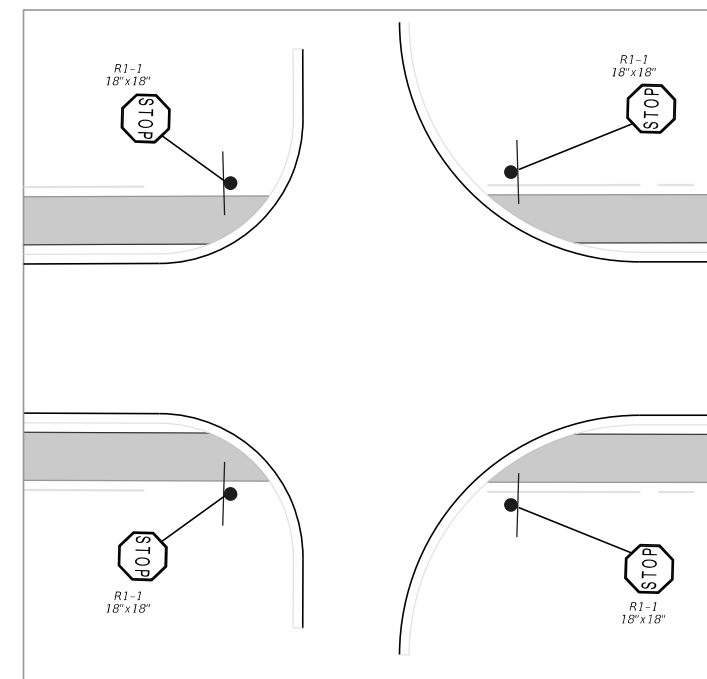
TYPICAL SIGNING PLAN
AT STOP CONTROLLED INTERSECTIONS

N.T.S.

EXISTING



TYPICAL SECTION
Commercial Blvd to W McNab Rd



TYPICAL SIGNING PLAN
AT SIGNALIZED INTERSECTIONS

N.T.S.

REVISIONS			
DATE	DESCRIPTION	DATE	DESCRIPTION



TYPICAL SECTION
NW 31ST AVENUE

SHEET NO.

4

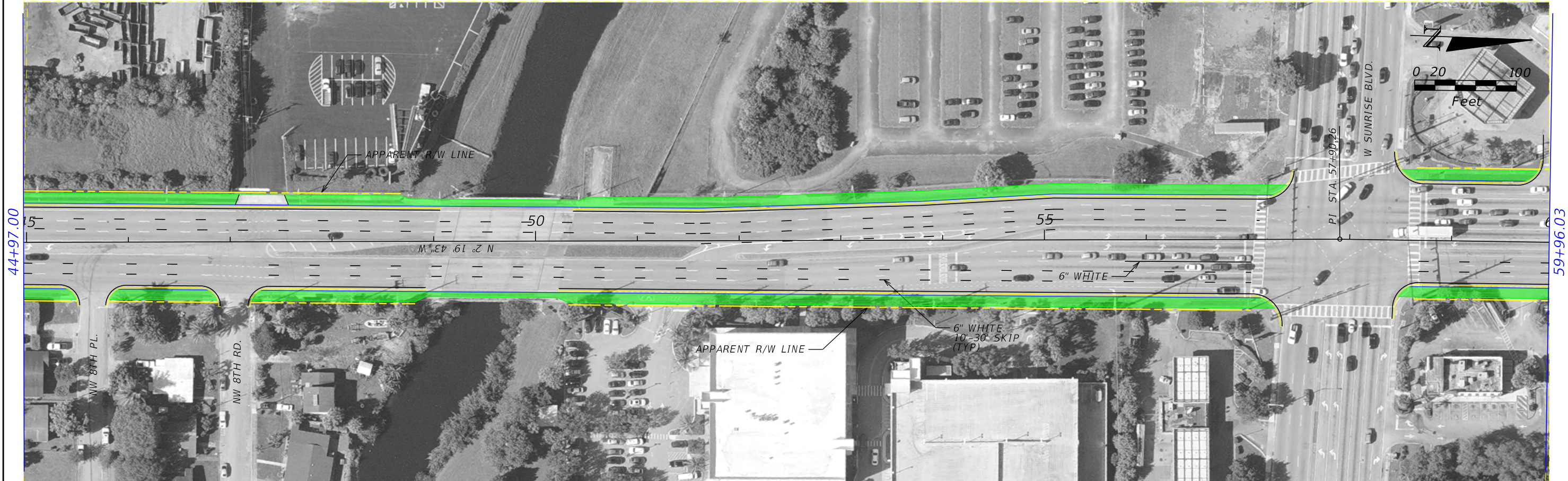
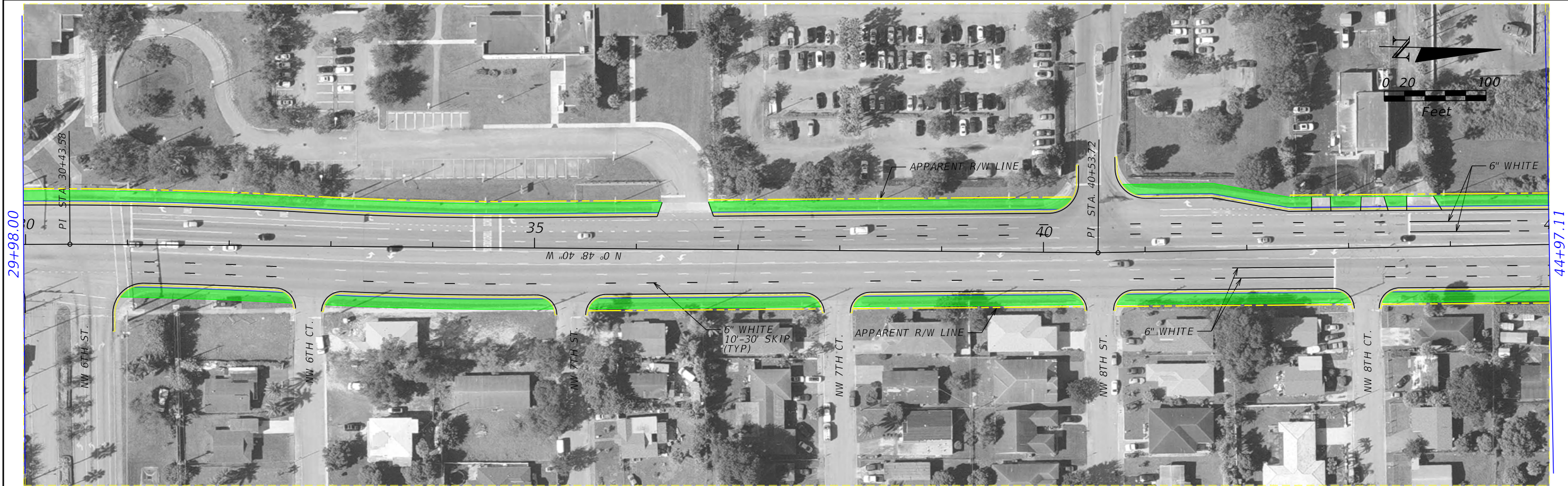


REVISIONS			
DATE	DESCRIPTION	DATE	DESCRIPTION



PLAN

SHEET NO.
5



REVISIONS			
DATE	DESCRIPTION	DATE	DESCRIPTION



PLAN

SHEET NO.
6

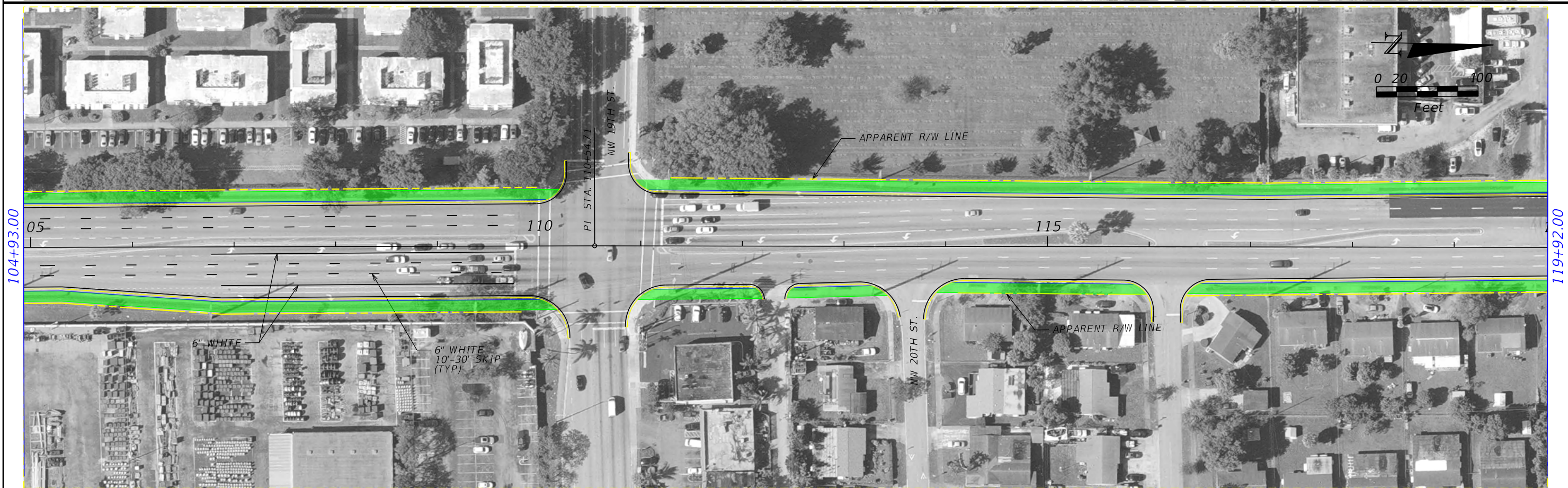
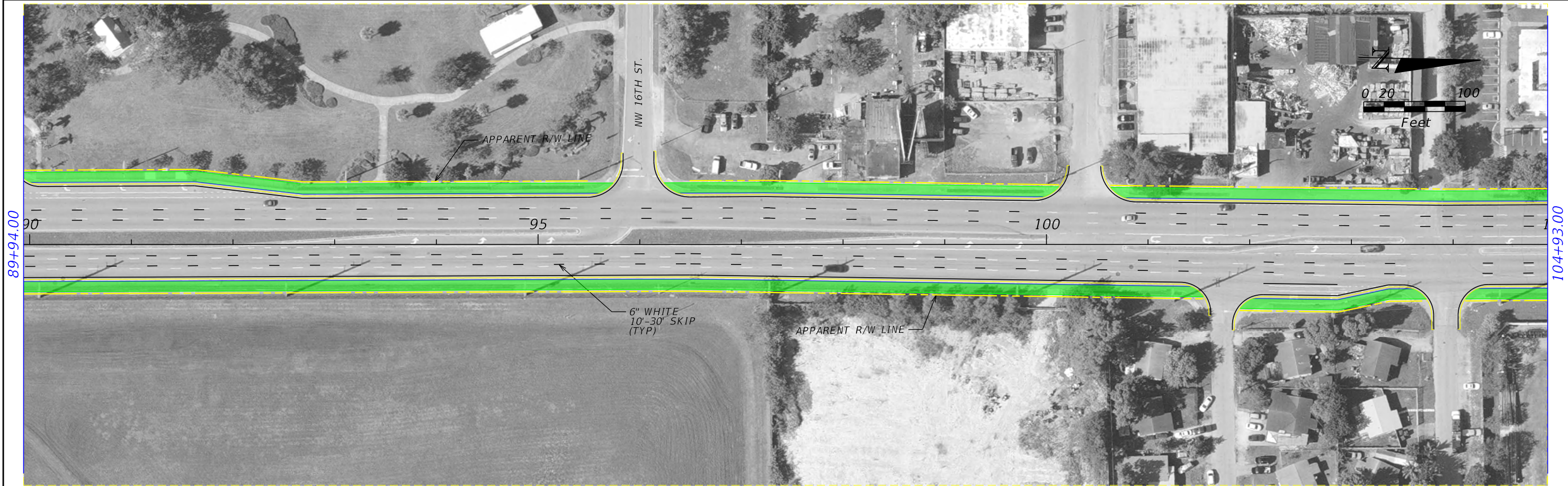


REVISIONS			
DATE	DESCRIPTION	DATE	DESCRIPTION



PLAN

SHEET NO.
7



REVISIONS			
DATE	DESCRIPTION	DATE	DESCRIPTION



PLAN

SHEET NO.
8

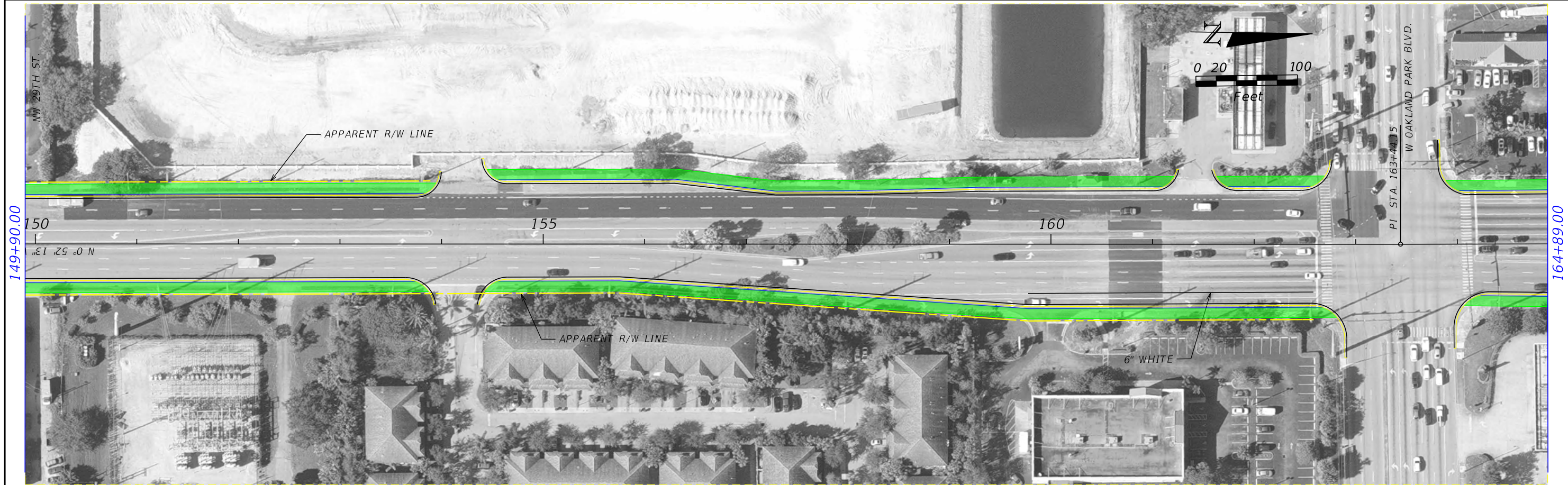


REVISIONS			
DATE	DESCRIPTION	DATE	DESCRIPTION



PLAN

SHEET NO.
9

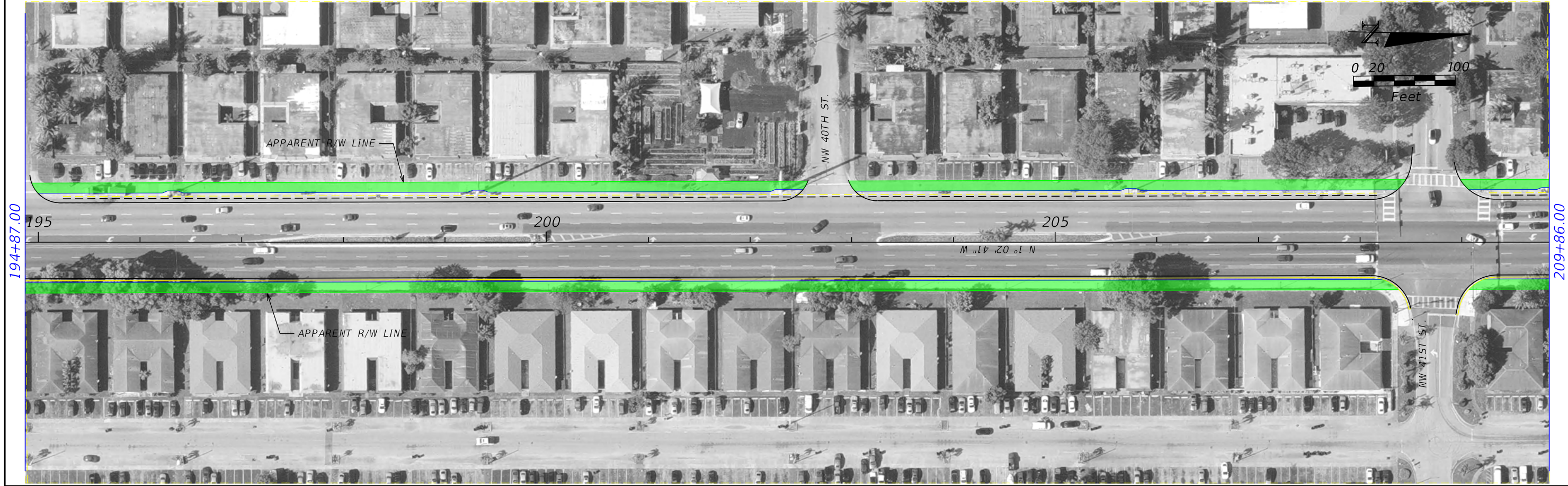


REVISIONS			
DATE	DESCRIPTION	DATE	DESCRIPTION



PLAN

SHEET NO.
10

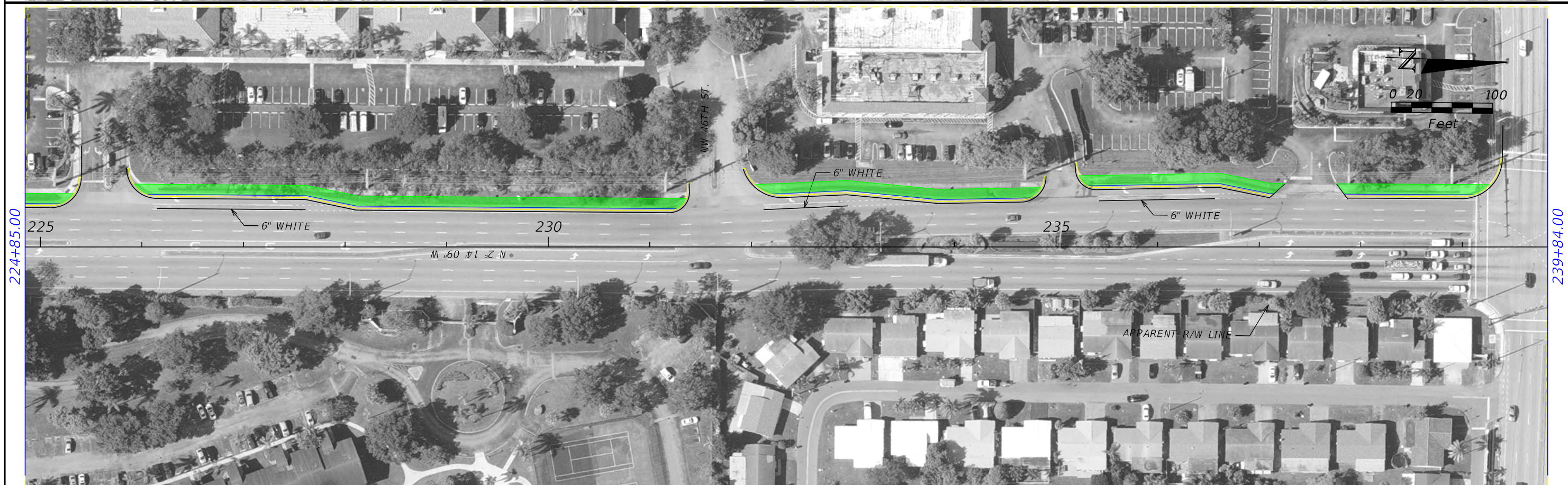
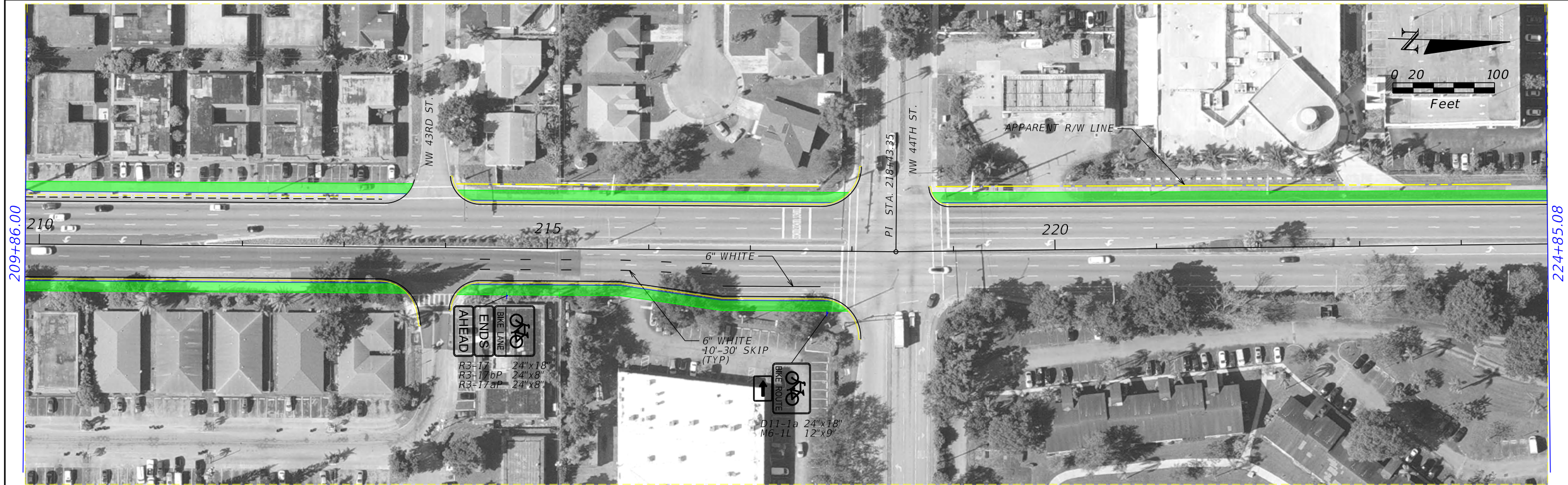


REVISIONS			
DATE	DESCRIPTION	DATE	DESCRIPTION



PLAN

SHEET NO.
11



REVISIONS			
DATE	DESCRIPTION	DATE	DESCRIPTION



PLAN

SHEET NO.
12

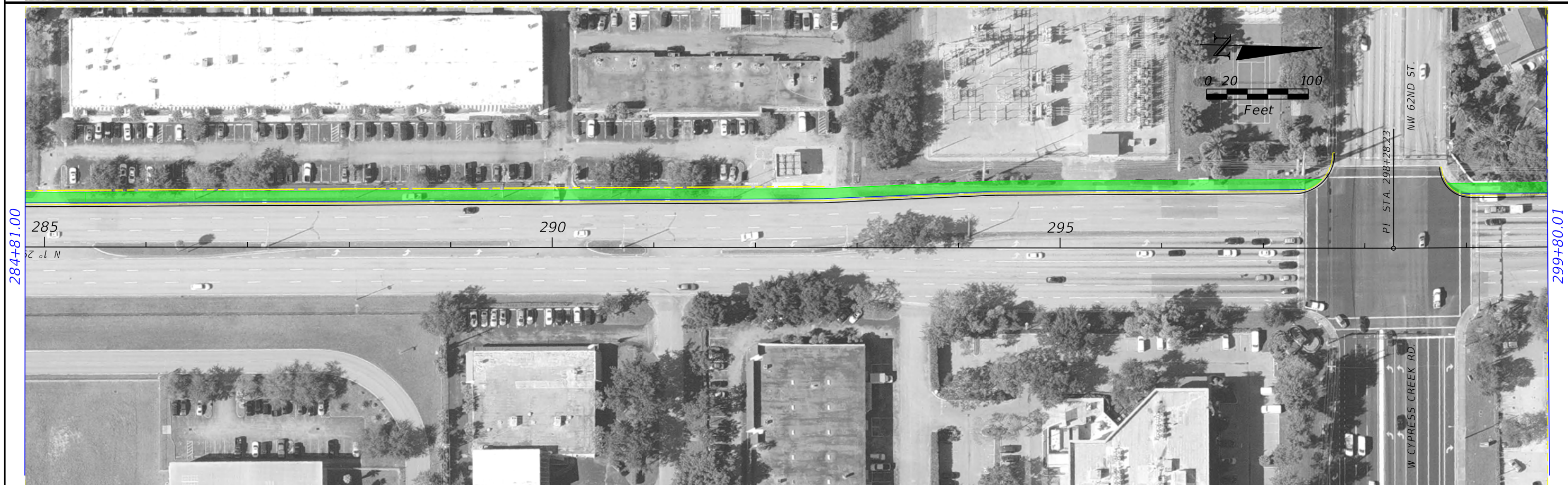
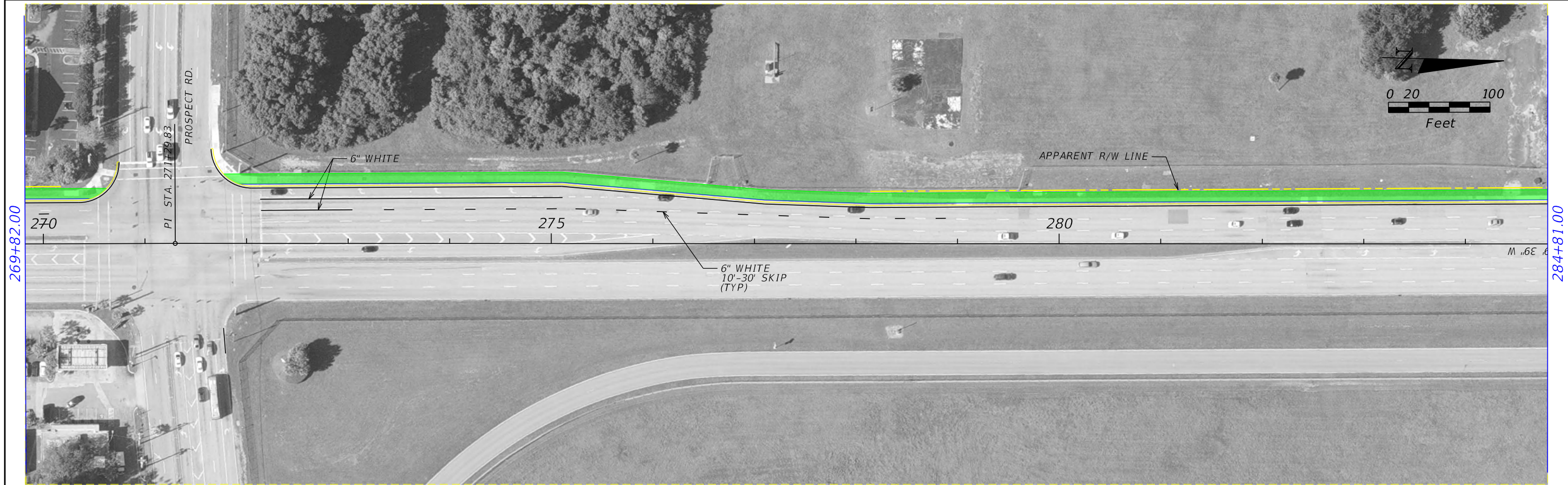


REVISIONS			
DATE	DESCRIPTION	DATE	DESCRIPTION



PLAN

SHEET NO.
13



REVISIONS			
DATE	DESCRIPTION	DATE	DESCRIPTION



PLAN

SHEET NO.
14



REVISIONS			
DATE	DESCRIPTION	DATE	DESCRIPTION



PLAN

SHEET NO.
15